

SHOPLINE 111 / NEXT 111



CONVENIENT LED TECHNOLOGY

As a perfect replacement for HID lamps, especially for AR111, these light engines are ideal for integration in luminaires like spots or downlights. The light engines are ideal for applications like retail, halls and public buildings.

The profiled reflector with the same design of AR111 lamps is ideal to replace HID with LED technology and keep existing luminaire's design. The reflectors offer an homogeneous light distribution spot. Next 111 offers the possibility to replace the reflector easily.

ShopLine / NEXT series

- Replacement for HID lamps 20-150 W
- Built-in spot with heat sink based on LUGA modules
- Reflector for homogeneous light distribution

Typical applications

- Replacement of AR111 lamps
- Integration in luminaires
- Retail lighting
- Downlights
- Light advertising
- Entertainment



ShopLine 111 / NEXT 111

**Built-in LEDSpot equipped with a reflector
or an interchangeable reflector, heat sink and leads
- Replacement for AR111**

Technical notes

Reflector: Ø 111 mm (ShopLine 111)

Interchangeable reflector: Ø 111 mm (NEXT 111)

Heat sink material: aluminium

Max operating temperature at t_p point:

99 °C: Type C125/C128

80 °C: Type S150

Lumen maintenance: L90/B10; 50.000 hrs.

60 °C: Type C125/C128

70 °C: Type S150

Temperature depends on installation situation and has to be checked by the luminaire manufacturer.

Colour accuracy initially: 3 SDCM;

after 50,000 hrs. operating time: 4 SDCM

Use of external LED constant-current drivers

The ceramic PCB ensures optimum thermal management

Plastic clear cover to protect reflector

(opaque cover on request)

Fixation

reflector: front and back of rim (ShopLine 111)

reflector: front rim (NEXT 111)

heat sink: lateral fixation with M5 screws and nuts

or rear side fixation with self-tapping screws ST2.9

Leads: Cu tinned, stranded conductors 0.5 mm²,

FEP-insulation and neoprene sleeve,

length: 300 mm

With integrated cord grip

Packaging unit: 6 pcs.

Dimensions		Weight g
H1	H	
40 mm	99.65 mm	310
60 mm	119.65 mm	430
80 mm	139.65 mm	550

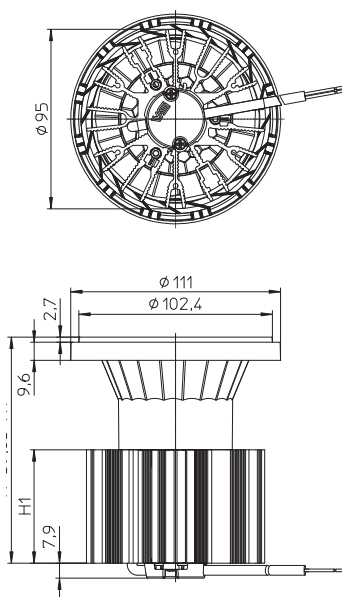


ShopLine 111

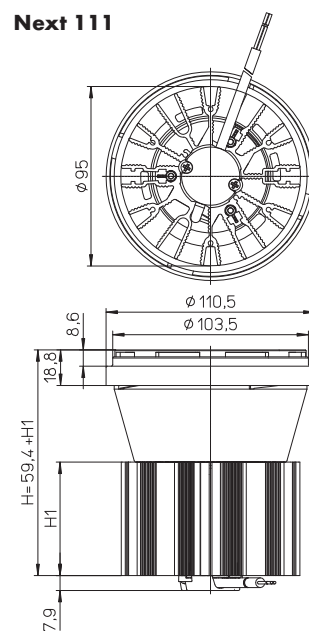


NEXT 111

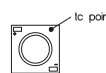
ShopLine 111



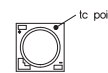
Next 111



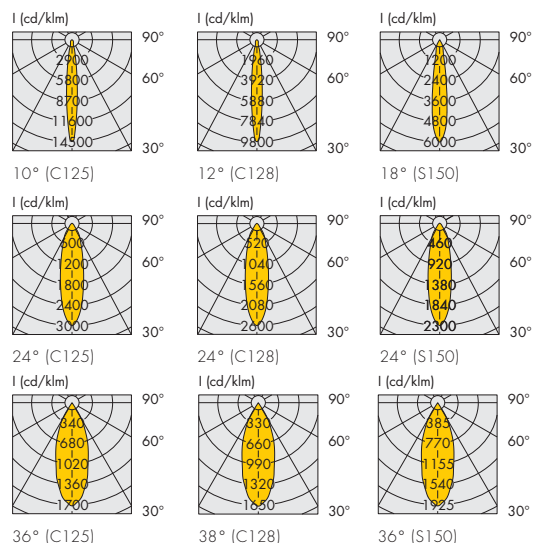
C125



C128



S150



The values contained in this data sheet can change due to technical innovations. Any such changes will be made without separate notification.

ShopLine 111 / NEXT 111

Type	Ref. No.		Colour	Correlated colour temperature K	Typ. luminous flux and typical voltage (U _{typ.}) and power consumption (P _{el})*			Light intensity at max. current Candela	Beam angle °	CRI R _a	Energy efficiency at max. current
	for black LEDSpots	white LEDSpots			350 mA lm	500 mA lm	700 mA lm				
H1 = 40 mm (heat sink height)					P _{el} = 12 W U _{typ.} = 34.2 V	P _{el} = 17.6 W U _{typ.} = 35.1 V					
ShopLine 111 C125	561664	—	warm white	3000	1435	1930	—	28000	10	85	A+
ShopLine 111 C125	561665	—	neutral white	4000	1480	1985	—	29000	10	85	A+
ShopLine 111 C125	561666	—	warm white	3000	1435	1930	—	5800	24	85	A+
ShopLine 111 C125	566134	—	neutral white	4000	1480	1985	—	6100	24	85	A+
ShopLine 111 C125	566135	—	warm white	3000	1400	1885	—	3200	36	85	A+
ShopLine 111 C125	566136	—	neutral white	4000	1445	1940	—	3300	36	85	A+
Next 111 C125	561701	561707	warm white	3000	1435	1930	—	28000	10	85	A+
Next 111 C125	561702	561708	neutral white	4000	1480	1985	—	29000	10	85	A+
Next 111 C125	561703	561709	warm white	3000	1435	1930	—	5800	24	85	A+
Next 111 C125	561704	561710	neutral white	4000	1480	1985	—	6100	24	85	A+
Next 111 C125	561705	561711	warm white	3000	1400	1885	—	3200	36	85	A+
Next 111 C125	561706	561712	neutral white	4000	1445	1940	—	3300	36	85	A+
H1 = 60 mm (heat sink height)					P _{el} = 11.6 W U _{typ.} = 33.2 V	P _{el} = 16.9 W U _{typ.} = 33.9 V	P _{el} = 24.3 W U _{typ.} = 34.7 V				
ShopLine 111 C128	566137	—	warm white	3000	1550	2115	2810	27500	12	85	A++
ShopLine 111 C128	566138	—	neutral white	4000	1600	2175	2880	28300	12	85	A++
ShopLine 111 C128	566139	—	warm white	3000	1550	2115	2810	7300	24	85	A++
ShopLine 111 C128	566140	—	neutral white	4000	1600	2175	2880	7550	24	85	A++
ShopLine 111 C128	566141	—	warm white	3000	1510	2070	2730	4150	38	85	A+
ShopLine 111 C128	566142	—	neutral white	4000	1560	2125	2820	4350	38	85	A++
Next 111 C128	561810	561816	warm white	3000	1550	2115	2810	27500	12	85	A++
Next 111 C128	561811	561817	neutral white	4000	1600	2175	2880	28300	12	85	A++
Next 111 C128	561812	561818	warm white	3000	1550	2115	2810	7300	24	85	A++
Next 111 C128	561813	561819	neutral white	4000	1600	2175	2880	7550	24	85	A++
Next 111 C128	561814	561820	warm white	3000	1510	2070	2730	4150	38	85	A+
Next 111 C128	561815	561821	neutral white	4000	1560	2125	2820	4350	38	85	A++
H1 = 80 mm (heat sink height)					P _{el} = 14.4 W U _{typ.} = 41.4 V	P _{el} = 20.9 W U _{typ.} = 41.8 V	P _{el} = 29.9 W U _{typ.} = 42.7 V				
ShopLine 111 S150	560835	—	warm white	3000	1875	2600	3500	21000	18	85	A++
ShopLine 111 S150	560840	—	neutral white	4000	1945	2700	3650	22000	18	85	A++
ShopLine 111 S150	560836	—	warm white	3000	1895	2630	3540	8100	24	85	A++
ShopLine 111 S150	560841	—	neutral white	4000	1970	2735	3690	8500	24	85	A++
ShopLine 111 S150	560771	—	warm white	3000	1895	2630	3540	6800	36	85	A++
ShopLine 111 S150	560772	—	neutral white	4000	1970	2735	3690	7200	36	85	A++
Next 111 S150	560866	560887	warm white	3000	1875	2600	3500	21000	18	85	A++
Next 111 S150	560873	560892	neutral white	4000	1945	2700	3650	22000	18	85	A++
Next 111 S150	560867	560888	warm white	3000	1895	2630	3540	8100	24	85	A++
Next 111 S150	560874	560893	neutral white	4000	1970	2735	3690	8500	24	85	A++
Next 111 S150	560868	560889	warm white	3000	1895	2630	3540	6800	36	85	A++
Next 111 S150	560876	560894	neutral white	4000	1970	2735	3690	7200	36	85	A++

Versions with other colour temperature, CRI 95 or pearl white on request | Versions with white reflector for extra wide beam angle on request

* Production tolerance of luminous flux, voltage and power consumption: ±10%

The values contained in this data sheet can change due to technical innovations. Any such changes will be made without separate notification.

NEXT 111

With Zhaga adaptor for aluminium reflectors

Reflector size

top: Ø 94 mm

bottom: Ø 40 mm

height: 50 mm

Type	Ref. No.	Colour	Correlated colour temperature K	Typ. luminous flux and typical voltage (U _{typ.}) and power consumption (P _{el})*			Beam angle °	CRI R _a	Energy efficiency at max. current
				350 mA lm	500 mA lm	700 mA lm			
H1 = 40 mm (heat sink height)				P _{el} = 12 W U _{typ.} = 34.2 V	P _{el} = 17.6 W U _{typ.} = 35.1 V				
Next 111 C125	561822	warm white	3000	1650	2215	–	120	85	A++
H1 = 60 mm (heat sink height)				P _{el} = 11.6 W U _{typ.} = 33.2 V	P _{el} = 16.9 W U _{typ.} = 33.9 V	P _{el} = 24.3 W U _{typ.} = 34.7 V			
Next 111 C128	561823	warm white	3000	1775	2430	3210	120	85	A++
H1 = 80 mm (heat sink height)				P _{el} = 14.4 W U _{typ.} = 41.4 V	P _{el} = 20.9 W U _{typ.} = 41.8 V	P _{el} = 29.9 W U _{typ.} = 42.7 V			
Next 111 S150	561824	warm white	3000	2170	2955	3940	120	85	A++

Versions with other colour temperature, CRI 95 or pearl white on request | Versions with white reflector for extra wide beam angle on request

* Production tolerance of luminous flux, voltage and power consumption: ±10%

The values contained in this data sheet can change due to technical innovations. Any such changes will be made without separate notification.

LED Drivers

You will find more information about our LED drivers on our website: www.vossloh-schwabe.com

Capacity range W	Output current DC mA	Output voltage DC V	Ref. No.	Version	Current setting	Dimming	Max. service life time hrs.	Dimensions (LxWxH) mm	For type		
									DMC 125	DMC 128	DMS 150
700 mA											
25	700	22-36	186416	EasyLine	–	C	50,000	153x41.4x32	–	x	–
25.2	700	22-36	186353	EasyLine	–	–	50,000	166x52x24	–	x	–
28.5/34.2/40	500/600/700	25-57	186531	EasyLine	Push-in terminal	–	50,000	103.6x67.4x31	x	x	x
30	700	17-42	186393	ComfortLine	–	L,C	100,000	96x50x31.5	–	x	–
34	700	9-48	186177	ComfortLine	–	DALI, PUSH	100,000	123.4x79.4x33	–	x	x
			186195					159.4x79.4x33	–	x	x
36	700	32-52	186451	EasyLine	–	C	50,000	153x41.4x32	–	x	–
37	350-700	30-53	186503	Primeline	Programmable	DALI, PUSH	100,000	123.4x79.4x32.6	x	x	x
37	700	30-53	186308	ComfortLine	–	DALI, PUSH	100,000	123.4x79.4x32.6	–	x	x
			186306					159.4x79.4x33	–	x	x
			186556					123.4x79.4x33	–	x	x
40	700	20-57	186221	ComfortLine	–	DALI, PUSH	100,000	123.4x79.4x33	–	x	x
			186222					159.4x79.4x33	–	x	x
			186266					123.4x79.4x33	–	x	x
			186267					159.4x79.4x33	–	x	x
500 mA											
10/14/20	250/350/500	17-40	186463	EasyLine	Steckklemme	–	50,000	103.6x67.4x31	x	–	–
28.5/34.2/40	500/600/700	25-57	186531	EasyLine	Push-in terminal	–	50,000	103.6x67.4x31	x	x	x
37	350-700	30-53	186503	Primeline	Programmable	DALI, PUSH	100,000	123.4x79.4x32.6	x	x	x
350 mA											
10/14/20	250/350/500	17-40	186463	EasyLine	Steckklemme	–	50,000	103.6x67.4x31	x	–	–
37	350-700	30-53	186503	Primeline	Programmable	DALI, PUSH	100,000	123.4x79.4x32.6	x	x	x

Please ensure you choose the correct LED driver for the module in question and that the respective output parameters (current, voltage, wattage) are correct.

Accessories

iProgrammer

The iProgrammer is designed to configure LED drivers using the 3C function.

Dimensions: 123.4x79.4x32.6 mm

Ref. No. 186428



The values contained in this data sheet can change due to technical innovations. Any such changes will be made without separate notification.